



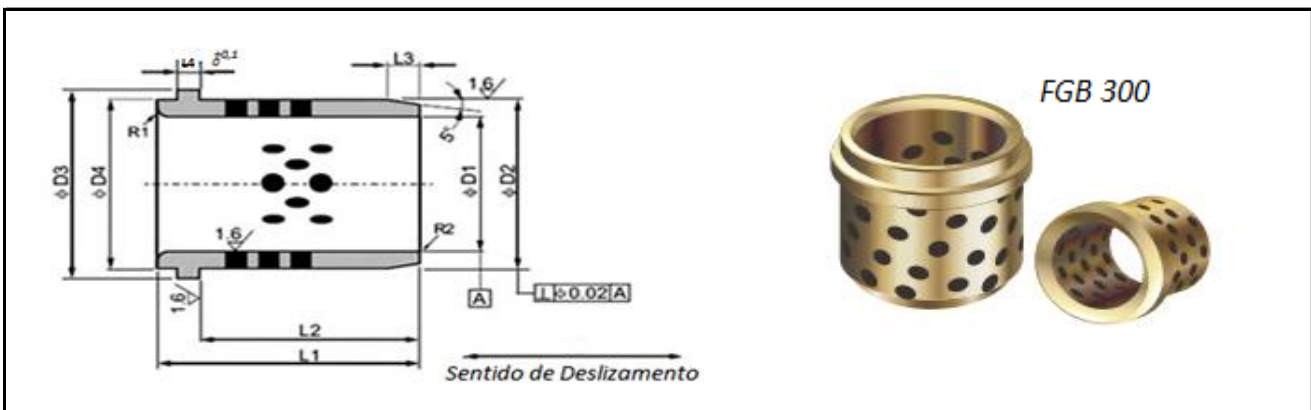
Bucha Autolubrificante

Material: *DIN Cu Zn 25 Al15 / ASTM C86300 + Lubrificantes Sólidos*

Dureza: *190 - 210 HB*

Dimensões: *mm*

Flangeada - FGB 300 (DIN 9834)



Nº	D1 (H6)	D2 (g6)	D3	D4 (0/-0,25)	L1	L2	L3	L4	R1	R2
FGB300 -2540	25	32	40	32	40	30	3,0	6,3	3,0	1,0
FGB300 -3250	32	40	50	40	50	40	4,0	6,3	3,0	1,0
FGB300 -4063	40	50	63	50	63	50	5,0	6,3	3,0	1,0
FGB300 -5071	50	63	71	63	71	56	6,3	6,3	5,0	1,0
FGB300 -6380	63	80	90	80	80	63	8,0	10,0	6,0	1,0
FGB300 -8010	80	100	112	100	100	80	10,0	10,0	8,0	1,0
FGB300 -1012	100	125	140	125	125	106	12,5	10,0	10,0	1,0
FGB300 -1114	115	140	155	140	140	120	16,0	10,0	10,0	1,0
FGB300 -1216	125	160	180	160	160	132	16,0	10,0	12,0	1,0
FGB300 -1620	160	200	220	200	200	170	16,0	10,0	18,0	1,0

Para outros modelos e tamanhos, informar desenho, medidas ou referências